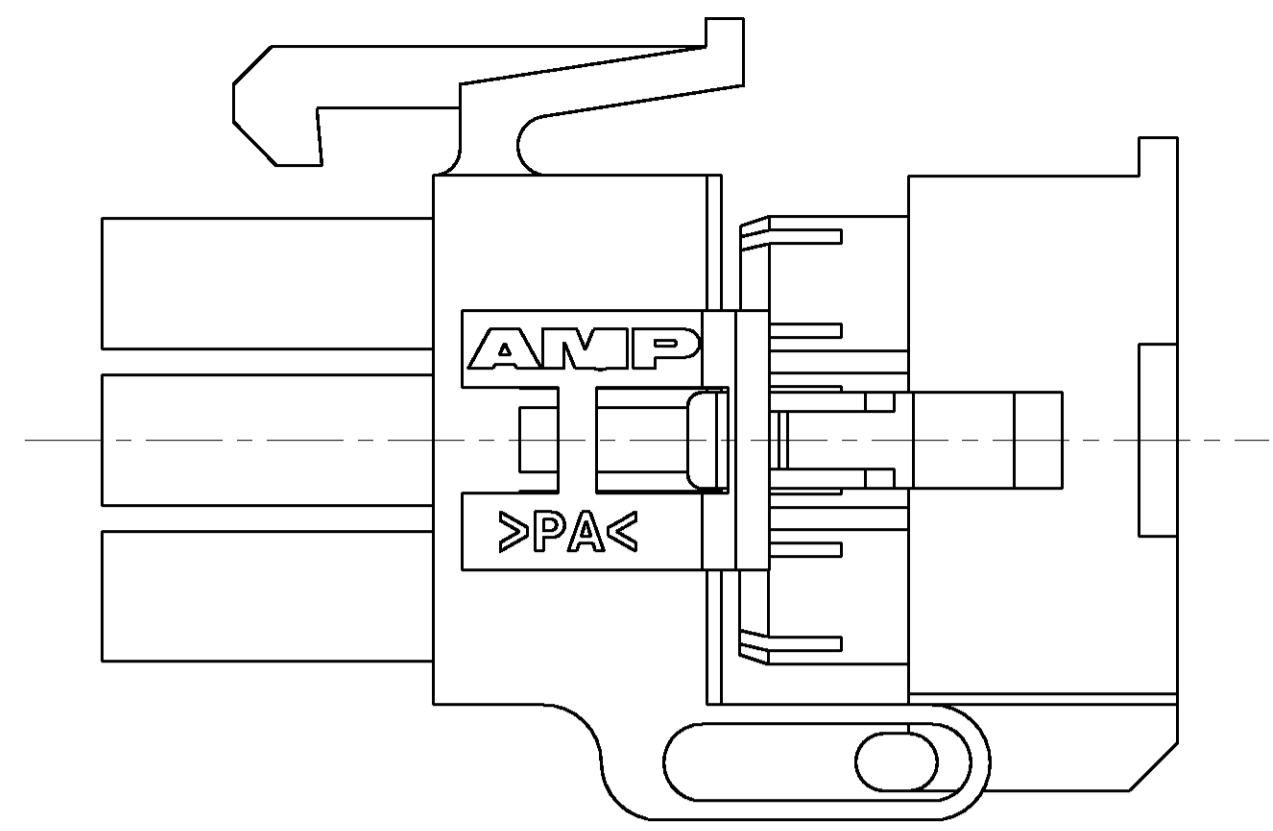
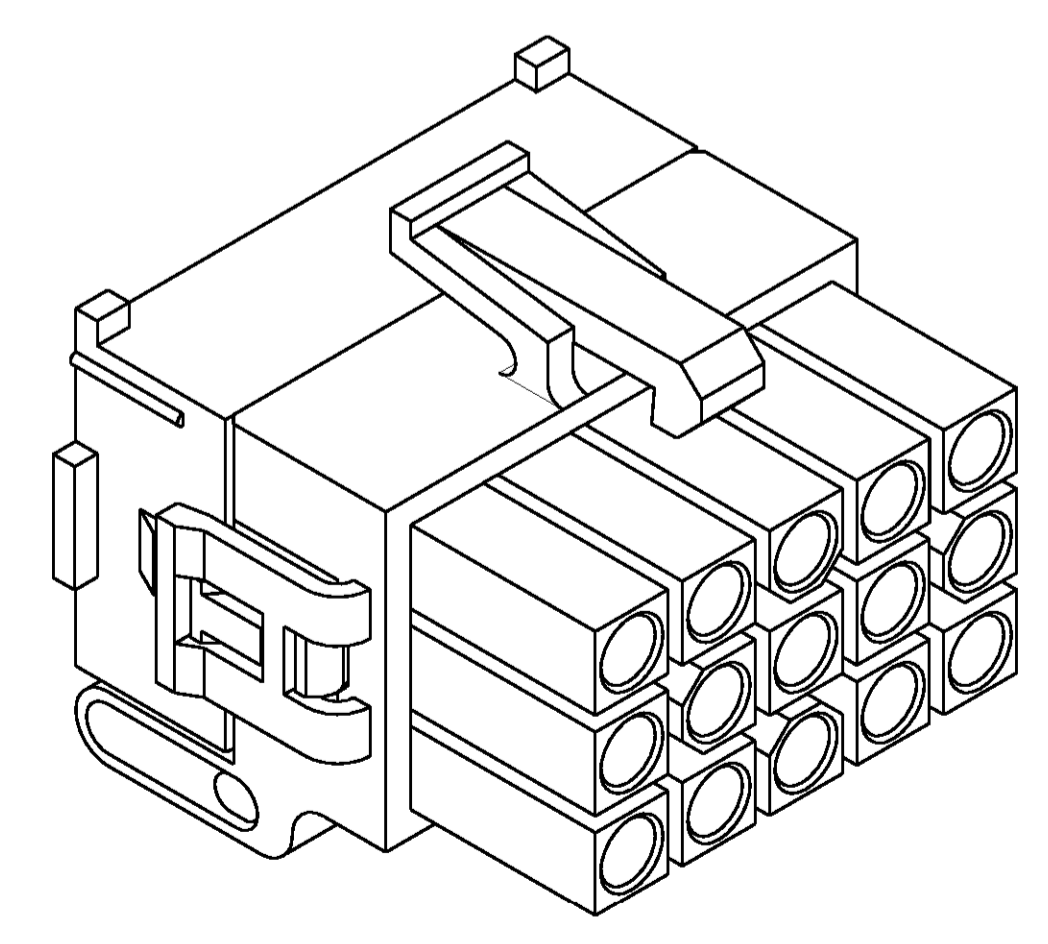
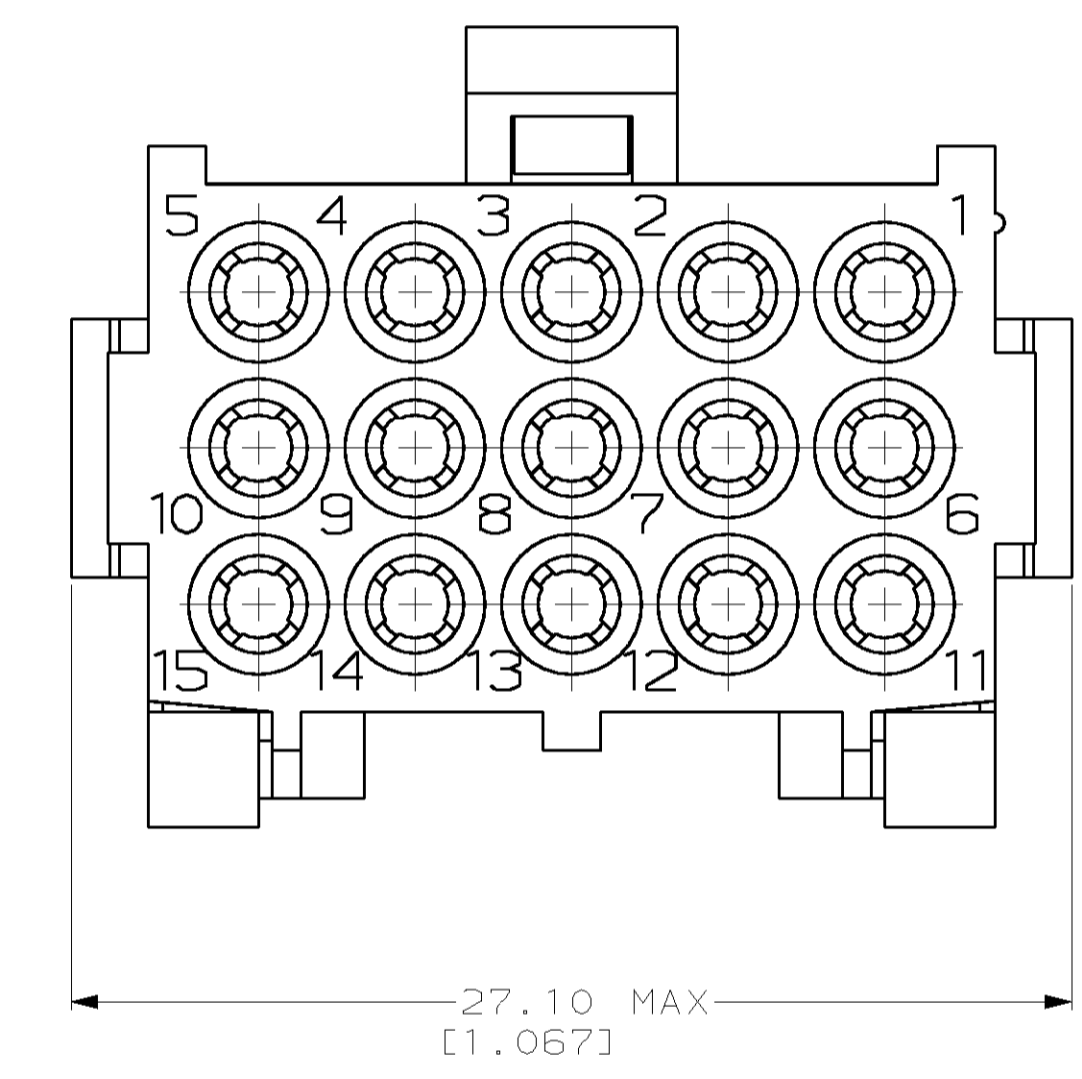
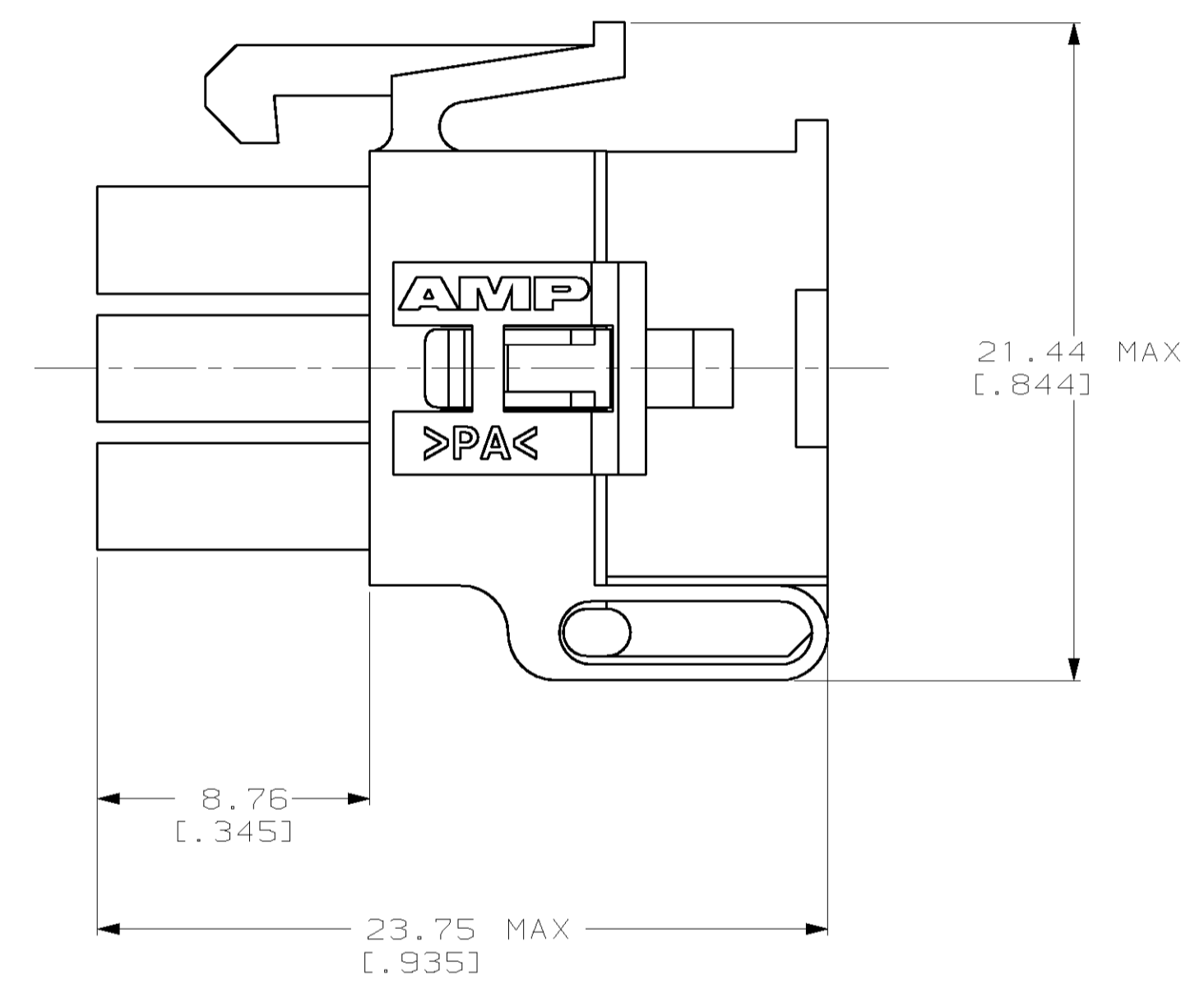
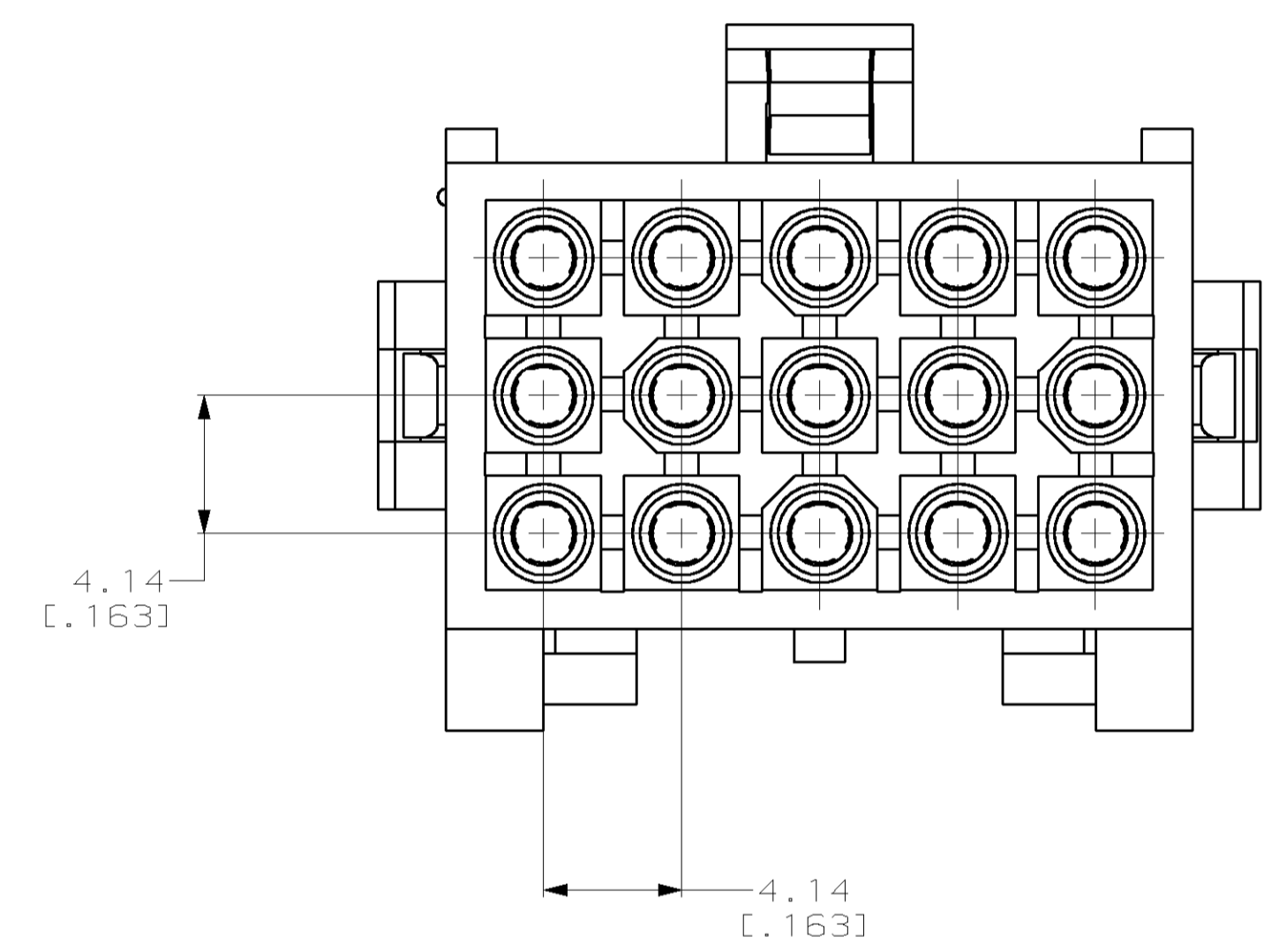


LOC		DIST		REVISIONS			
F	CHR	DATE	BY	CHK	APVD		
B		23-SEP-99	KW	EC	KC	061B-0094-99	



PRE-STAGED CONDITION

1. DIMENSIONS IN BRACKETS ARE IN INCHES.



3-DIMENSIONAL MODEL  
NTS

794204-1  
PART NUMBER

**METRIC**

THIS DRAWING IS A CONTROLLED DOCUMENT.		DWN K. WHITAKER	5-16-97	<b>AMP</b> AMP Incorporated Harrisburg, PA 17105-3608
DIMENSIONS:		CHK R. SWING	5-16-97	
TOLERANCES UNLESS OTHERWISE SPECIFIED:		APVD S. ORSTAD	5-16-97	NAME PLUG, 15 CIRCUIT, MINI UNIVERSAL MATE-N-LOK™ 2
mm	0 PLC ±	PRODUCT SPEC		SIZE CAGE CODE DRAWING NO
	1 PLC ±	APPLICATION SPEC		A1 00779 C-794204
	2 PLC ±0.13 [0.005]	RESTRICTED TO		
	3 PLC ±	SCALE	5:1	SHEET 1 OF 1
	4 PLC ±	REV	B	
	ANGLES 40°-90°			
MATERIAL NYLON, UL 94V-0, NATURAL	FINISH -	WEIGHT -		CUSTOMER DRAWING